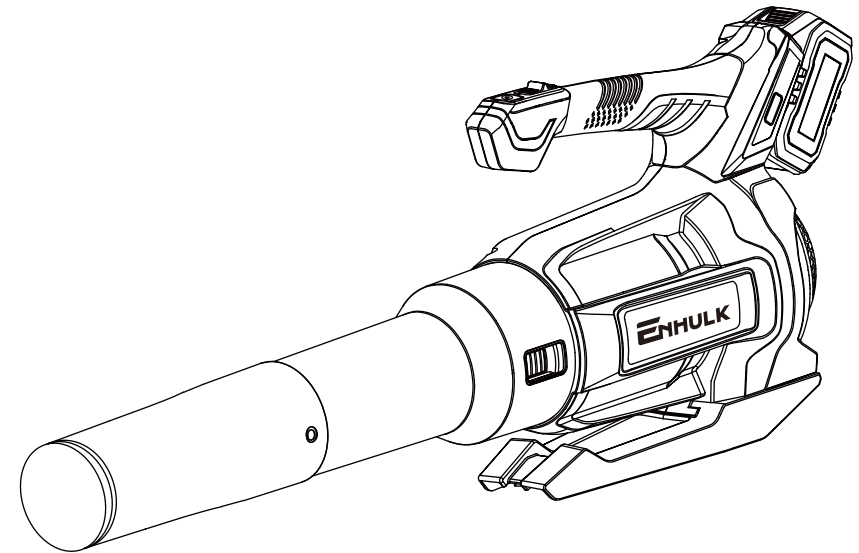


ENHULK

20V Brushless Blower

YS-DS-134



SYVIO TECHNOLOGY.CO.LIMITED
ROOM A,8/F,wok Cheung Building,635-637
Shanghai Street,Mong kok,Hong Kong
Made in China

☎ 1 (877) 750-3787 (Mon.- Fri.9 to 5 PST)

✉ service@enhulktools.com

🌐 <http://www.enhulktools.com>

📘 @enhulkofficial

📷 @enhulkofficial

▶ @Enhulkofficial

Scan the QR code
to watch the How-To
videos



**Please read carefully before use
Original instruction Manual**

Safety instructions

General Power Tool Safety Warnings

⚠ WARNING Read all safety warnings, instructions, illustrations and specifications

provided with this power tool. Failure to follow all instructions listed below may result in electric shock, fire and/or serious injury.

Save all warnings and instructions for future reference. The term "power tool" in the warnings refers to your mains-operated (corded) power tool or battery-operated (cordless) power tool.

- **Work area safety**
- **Keep work area clean and well lit.** Cluttered or dark areas invite accidents.
- **Do not operate power tools in explosive atmospheres, such as in the presence of flammable liquids, gases or dust.** Power tools create sparks which may ignite the dust or fumes.
- **Keep children and bystanders away while operating a power tool.** Distractions can cause you to lose control.

Electrical safety

Power tool plugs must match the outlet. Never modify the plug in any way. Do not use any adapter plugs with earthed (grounded) power tools.

Unmodified plugs and matching outlets will reduce risk of electric shock.

- **Avoid body contact with earthed or grounded surfaces, such as pipes, radiators, ranges and refrigerators.** There is an increased risk of electric shock if your body is earthed or grounded.
- **Do not expose power tools to rain or wet conditions.** Water entering a power tool will increase the risk of electric shock.
- **Do not abuse the cord. Never use the cord for carrying, pulling or unplugging the power tool. Keep cord away from heat, oil, sharp edges or moving parts.** Damaged or entangled cords increase the risk of electric shock.
- **When operating a power tool outdoors, use an extension cord suitable for outdoor use.** Use of a cord suitable for outdoor use reduces the risk of electric shock.
- **If operating a power tool in a damp location is unavoidable, use a residual current device (RCD) protected supply.** Use of an RCD reduces the risk of electric shock.

Personal safety

- **Stay alert, watch what you are doing and use common sense when operating a power tool. Do not use a power tool while you are tired or under the influence of drugs, alcohol or medication. A moment of inattention while operating power tools may result in serious personal injury.**

- **Use personal protective equipment. Always wear eye protection.** Protective equipment such as a dust mask, nonskid safety shoes, hard hat or hearing protection used for appropriate conditions will reduce personal injuries.
- **Prevent unintentional starting. Ensure the switch is in the off-position before connecting to power source and/or battery pack, picking up or carrying the tool.** Carrying power tools with your finger on the switch or energising power tools that have the switch on invites accidents.
- **Remove any adjusting key or wrench before turning the power tool on.** A wrench or a key left attached to a rotating part of the power tool may result in personal injury.
- **Do not overreach. Keep proper footing and balance at all times.** This enables better control of the power tool in unexpected situations.
- **Dress properly. Do not wear loose clothing or jewellery. Keep your hair and clothing away from moving parts.** Loose clothes, jewellery or long hair can be caught in moving parts.
- **If devices are provided for the connection of dust extraction and collection facilities, ensure these are connected and properly used.** Use of dust collection can reduce dust related hazards.
- **Do not let familiarity gained from frequent use of tools allow you to become complacent and ignore tool safety principles.** A careless action can cause severe injury within a fraction of a second.

Power tool use and care

- **Do not force the power tool. Use the correct power tool for your application.** The correct power tool will do the job better and safer at the rate for which it was designed.
- **Do not use the power tool if the switch does not turn it on and off.** Any power tool that cannot be controlled with the switch is dangerous and must be repaired.
- **Disconnect the plug from the power source and/or remove the battery pack, if detachable, from the power tool before making any adjustments, changing accessories, or storing power tools.** Such preventive safety measures reduce the risk of starting the power tool accidentally.
- **Store idle power tools out of the reach of children and do not allow persons unfamiliar with the power tool or these instructions to operate the power tool.** Power tools are dangerous in the hands of untrained users.
- **Maintain power tools and accessories. Check for mis-alignment or binding of moving parts, breakage of parts and any other condition that may affect the power tool's operation. If damaged, have the power tool repaired before use.** Many accidents are caused by poorly maintained power tools.

Safety Instruction

- **Keep cutting tools sharp and clean.** Properly maintained cutting tools with sharp cutting edges are less likely to bind and are easier to control.
- **Use the power tool, accessories and tool bits etc. in accordance with these instructions, taking into account the working conditions and the work to be performed.** Use of the power tool for operations different from those intended could result in a hazardous situation.
- **Keep handles and grasping surfaces dry, clean and free from oil and grease.** Slippery handles and grasping surfaces do not allow for safe handling and control of the tool in unexpected situations.

Battery tool use and care

- **Recharge only with the charger specified by the manufacturer.** A charger that is suitable for one type of battery pack may create a risk of fire when used with another battery pack.
- **Use power tools only with specifically designated battery packs.** Use of any other battery packs may create a risk of injury and fire.
- **When battery pack is not in use, keep it away from other metal objects, like paper clips, coins, keys, nails, screws or other small metal objects, that can make a connection from one terminal to another.**
Shorting the battery terminals together may cause burns or a fire.
- **Under abusive conditions, liquid may be ejected from the battery; avoid contact. If contact accidentally occurs, flush with water. If liquid contacts eyes, additionally seek medical help.** Liquid ejected from the battery may cause irritation or burns.
- **Do not use a battery pack or tool that is damaged or modified.** Damaged or modified batteries may exhibit unpredictable behaviour resulting in fire, explosion or risk of injury.
- **Do not expose a battery pack or tool to fire or excessive temperature.** Exposure to fire or temperature above 130°C may cause explosion.
- **Follow all charging instructions and do not charge the battery pack or tool outside the temperature range specified in the instructions.** Charging improperly or at temperatures outside the specified range may damage the battery and increase the risk of fire.

Service

- **Have your power tool serviced by a qualified repair person using only identical replacement parts.** This will ensure that the safety of the power tool is maintained.

- **Never service damaged battery packs.** Service of battery packs should only be performed by the manufacturer or authorized service providers.

Safety instructions for blower

- **Do not blow any harmful substances, e.g. beech or oak wood dust, rock dust or asbestos.** These substances are classified as carcinogenic.
- **Do not blow any liquids.** The penetration of liquids increases the risk of an electric shock.
- **Pay attention that bystanders are not injured by foreign objects that are blown off by the product.**
- **Keep your fingers away from the openings of the power tool during operation. Only operate the blower with a nozzle attached.** The rotating fan can injure you.
- **Ensure that the workplace is well ventilated.**
- **Do not let children use the power tool unsupervised.**
Children are at risk of injuring themselves this way.
- **Wear additional personal protective equipment such as protective glasses and a protective mask.** Wearing personal protection equipment appropriate to the conditions reduces your exposure to hazardous substances.



- **In case of damage and improper use of the battery, vapours may be emitted. The battery can set alight or explode.** Ensure the area is well ventilated and seek medical attention should you experience any adverse effects. The vapors may irritate the respiratory system.
- **Do not open the battery.** There is a risk of short circuiting.
- **The battery can be damaged by pointed objects such as nails or screwdrivers or by force applied externally.** An internal short circuit may occur, causing the battery to burn, smoke, explode or overheat.
- **Only use the battery with products from the manufacturer.** This is the only way in which you can protect the battery against dangerous overload.



Protect the battery against heat, e.g. against continuous intense sunlight, fire, dirt, water and moisture. There is a risk of explosion and short circuiting.

Warning For Charger



WARNING

Read all warnings and instructions. Failure to follow the warnings and instructions can cause electric shock, fire and/or serious injury. Save all warnings and instructions for future reference.

- a) The charger must not be used for non-rechargeable, ordinary batteries.
- b) Adequate ventilation is required.
- c) The information on current and voltage on the battery pack must comply with those of the charger.
- d) Do not expose the charger to water splashes and rain.
- e) Do not throw exhausted or damaged batteries into water or fire. Environmental guidelines must be followed.
- f) A defective or not chargeable battery must be treated as special waste / hazardous waste. Put it in a special collection point. Do not throw it in the normal household waste neither into water or fire.
- g) Place the charger far from any heat source.
- h) To reduce the risk of electric shock, pull the plug instead of the power cord out from the socket, if you want to disconnect the charger from the mains.
- i) Do not disassemble the charger. Bring it to an authorized repair service, if service or repair is required. Improper installation can result in electrical shock, death and fire.
- j) This appliance can be used by children aged from 8 years and above and persons with reduced physical, sensory or mental capabilities or lack of experience and knowledge if they have been given supervision or instruction concerning use of the appliance in a safe way and understand the hazards involved. Children shall not play with the appliance.
- k) Cleaning and user maintenance shall not be made by children.
- l) Do not leave the equipment unattended while it is operating, to avoid the risk of fire, burns and electric shocks.
- m) If the power cord is damaged, it must be replaced by the manufacturer or its customer service or a similarly qualified person in order to avoid.

Product Description and Specifications



Read all the safety and general instructions. Failure to observe the safety and general instructions may result in electric shock, fire and/or serious injury. Please observe the illustrations at the beginning of this operating manual.

Intended Use

The power tool is intended for blowing away non-harmful substances (e.g. sawing debris, metal chips, stone dust, etc.) produced during sawing, drilling or grinding. Drill holes can also be blown out with the appropriate accessories. The power tool is not suitable for blowing hot, flammable or explosive materials.

Symble



Read the operator's manual



Wear eye protection



Wear ear protection



Do not expose to rain



Warning of hazard



Keep bystanders away



Batteries may enter water cycle if disposed improperly, which can be hazardous for ecosystem. Do not dispose of waste batteries as unsorted municipal waste.



Do not burn



Li-Ion

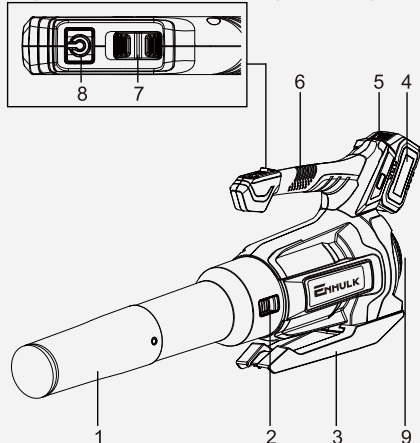


Li-Ion battery This product has been marked with a symbol relating to 'separate collection' for all battery packs and battery pack. It will then be recycled or dismantled in order to reduce the impact on the environment. Battery packs can be hazardous for the environment and for human health since they contain hazardous substances.

Product Description and Specifications

Product Features

The numbering of the product features refers to the diagram of the power tool on the graphics page.



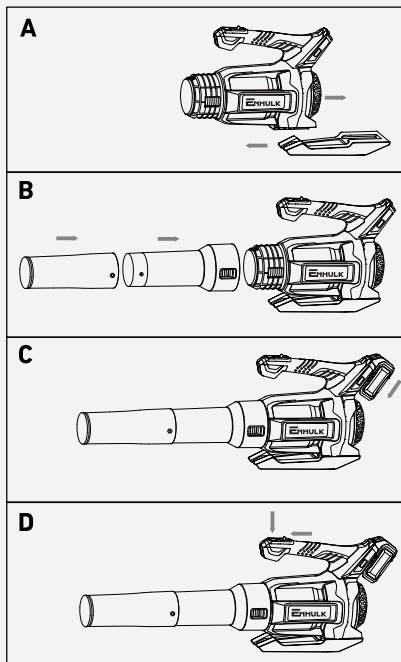
- (1) Blower Tube
- (2) Tube-Release Button
- (3) Holder
- (4) Battery
- (5) Battery release button
- (6) Handle
- (7) Speeder adjust switch
- (8) On/off button
- (9) Air inlet

Accessories shown or described are not included with the product as standard. You can find the complete selection of accessories in our accessories range.

Technical Data

Cordless blower

Article number	YS-DS-134
Voltage	20VDC
Air speed	90-120MPH
Air capacity	300-450CFM



Assembly

Battery Charging

- **Use only the chargers listed in the technical data.** Only these chargers are matched to the lithium-ion battery of your power tool.

Note: The battery is supplied partially charged. To ensure full battery capacity, fully charge the battery in the charger before using your tool for the first time.

The lithium-ion battery can be charged at any time without reducing its service life. Interrupting the charging process does not damage the battery.

The lithium-ion battery is protected against deep discharge by Electronic Cell Protection (ECP). A protective circuit switches the power tool off when the battery is drained.

- **Do not continue to press the on/off switch after the tool has been automatically switched off.** This can damage the battery.

Removing the battery

The battery is equipped with two locking levels to prevent the battery from falling out if the battery release button is pressed unintentionally. As long as the battery is inserted in the power tool, it is held in position by means of a Spring.

–To remove the battery (4), press the release button (5) and pull the battery upwards and out of the power tool. **Do not use force to do this.**

Follow the instructions on correct disposal.

Fitting the blower accessories (see figure C)

Remove the battery before cleaning or performing maintenance work on the power tool, before making tool adjustments, changing accessories or storing the power tool. This safety measure prevents the power tool from being started accidentally.

Operation

After fully-charged the battery pack, carefully fit it into the blower with a "click". Make sure the battery pack is tight enough fitted with the blower.

Starting Operation

Switching on/off (see figure B)

–To switch on the power tool, press the on/off switch (8), green light flash.

Press speed adjust switch(7),green light on for Blower level II.

Press speed adjust switch(7),blue light on for Blower level I.

–To switch off, press the on/off switch (8).

Working Advice

Never blow dirt in the direction of bystanders.

Always hold the power tool approx. 3 cm above the ground when working.

Do not blow hot, flammable or explosive material.

Ensure that the air inlet (9) cannot suck in any impurities while blowing is taking place.

CHARGING THE BATTERY PACK

Battery packs are shipped in a low charge condition to prevent possible problems. Therefore, you should charge them until the green LED on the front of the charger comes on.

TO CHARGE

- Use battery pack only with the recommended charger.
- Connect the charger to the power supply.
- Slide the battery pack along the groove of the charger.
- Press down the battery pack to ensure contacts on the battery pack engage properly with contacts in the charger.
- Make sure the latch of the battery pack snap into place and the battery pack is secured in the charger before beginning operation.
- Do not place the charger and battery pack in an area of extreme heat or cold. They will work best at normal room temperature.

■ **NOTE:** The charger and battery pack should be placed in a location where the temperature is more than 0 °C but less than 50 °C.

- The battery pack will become slightly warm to the touch while charging. This is normal and does not indicate a problem.
- After charging is complete, the charge green LED will remain on until either the battery pack has been removed from the charger or the charger has been removed from the power supply.
- When batteries become fully charged, unplug the charger from the power supply and remove the battery pack.
- To remove the battery pack from the charger, depress the latch of the battery pack.

Charging a Hot Battery Pack

If the battery pack is above normal temperature range, the charging process will be stopped to prevent incident. When the battery pack cools down to approximately 50 °C, the charger will automatically begin normal charge.

Charging a Cool Battery Pack

If the battery pack is below normal temperature range, the charging process will be stopped to prevent incident. When the battery warms to a temperature of more than 0 °C, the charger will automatically begin normal charge.

Cold Weather Operation

The LITHIUM-ION battery pack can be used in temperatures down to 0 °C. Put the battery pack on a tool and use the tool in a light duty application. After about a minute, the pack will have warmed up and begin operating normally.

Batteries

These batteries have been designed to provide maximum trouble-free life. However, like all batteries, they will eventually wear out. Do not disassemble battery pack and attempt to replace the batteries. Handling of these batteries, especially when wearing rings and jewelry, could result in a serious burn.

- To obtain the longest possible battery life, we suggest the following:
 - Remove the battery pack from the charger once it is fully charged and ready for use.
 - For battery pack storage longer than 30 days:
 - Store the battery pack where the temperature is between 10 °C and 30 °C and away from moisture.
 - Store battery packs in a 30%-50% charged condition.
- Every three months of storage, charge the pack as normal

Maintenance and Service

Maintenance and Service

Maintenance and Cleaning

- **Remove the battery from the power tool before carrying out work on the power tool (e.g. maintenance, changing tool, etc.). The battery should also be re- moved for transport and storage.** There is risk of injury from unintentionally pressing the on/off switch.
- **To ensure safe and efficient operation, always keep the power tool and the ventilation slots clean.**

Transport

The contained lithium-ion batteries are subject to the Dangerous Goods Legislation requirements. The batteries are suitable for road-transport by the user without further restrictions.

When shipping by third parties (e.g.: by air transport or for warding agency), special requirements on packaging and labeling must be observed. For preparation of the item being shipped, consulting an expert for hazardous material is required.

Dispatch battery packs only when the housing is undamaged. Tape or mask off open contacts and pack up the battery in such a manner that it cannot move around in the packaging. Please also observe the possibility of more detailed national regulations.